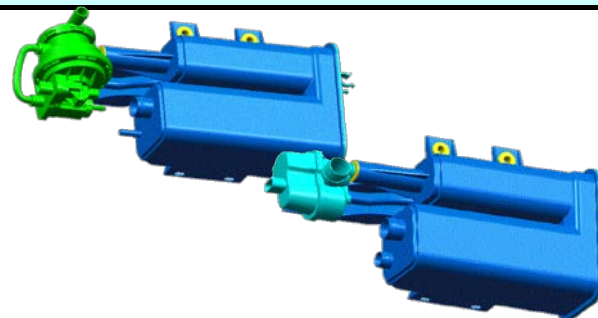


SUMITOMO RIKO GROUP

SumiRiko Italy S.p.A.

**SumiRiko LEVII / with OBD Pump**



**Construction and material:**

|                           |   |
|---------------------------|---|
| Housing/ Material         | 2 chambers / material (PA66 + GF)       |
| Charcoal Type             | 2.2lt BWC 14 + 11 Pellet + HCA (1 or 2) |
| Felts                     | n° 2                                    |
| Dip pipe                  | Yes                                     |
| Retention Charcoal system | Springs, grids and felts                |
| OBD System                | Bosch or Continental pump               |

**Canister characteristics:**

|                            |                          |
|----------------------------|--------------------------|
| NWC [grams]                | > 120                    |
| Pressure Drop [Adsorption] | < 15 mbar @ 60 Slit/min. |
| Pressure Drop [Desorption] | < 30 mbar @ 60 Slit/min. |
| Emission requirements      | CARB LEV II              |

**Standard and :**

|                        |                        |     |                 |     |           |     |
|------------------------|------------------------|-----|-----------------|-----|-----------|-----|
| Product                | Minimum batch          | N/A | Minimum lengths | N/A | Preformed | N/A |
| International standard | CARB LEV II - EPA ORVR |     |                 |     |           |     |
| Standard - Customers   | BMW LH 3.1.4           |     |                 |     |           |     |